

colorSENSOR OT Series

colorSENSOR OT-3-HR-80

- Measuring range typ. 40 mm ... 100 mm
- Polarization filter (very intense reduction of gloss effect)
- Up to 31 colors can be stored
- RS232 interface (USB adapter is available)
- 12x super-bright white-light LED, focused (AC-/DC-/PULSE-operation or OFF for luminous objects can be switched)
- Color detection, contrast detection, and gray scale detection
- Insensitive to outside light
- Brightness correction can be activated
- Switching frequency up to 35 kHz
- Several TEACH functions (via PC, PLC, or push button)
- Various evaluation algorithms can be activated
- "BEST HIT" mode ("human color assessment")
- Switching state display by means of 5 yellow LEDs
- Temperature compensated in climatic cabinet
- Averaging can be activated (from 1 up to over 32000 values)
- Color control of luminous objects (LEDs, halogen lamps, displays, ...)
- 3-color filter detector (true color detector: "human color perception")



Design

Product name:

colorSENSOR OT-3-HR-80-36
(incl. software colorCONTROL-S)

Sturdy aluminum housing, anodized in blue

Mounting accessories:
(p. 7)

FL-34 (flange)
WFL-34 (flange)

Optics holding device (aluminium, anodized)

Receiver optics and transmitter optics with 12x white light LED incl. 3-color filter detector (True Color) and polarisation filter (scratch-resistant optics cover made of glass)

4-pole fem. connector Binder Series 707 (RS232-interface)

Connecting cable:
CAB-M5-4P-St-ge; xm-PUR; RS232 or CAB-M5-4P-St-ge; xm-PVC; USB

TEACH button (external teaching via input IN0)

8-pole fem. connector Binder Series 712 (connection to PLC)

Connecting cable:
CAB-M9-8P-St-ge; xm-PUR; open

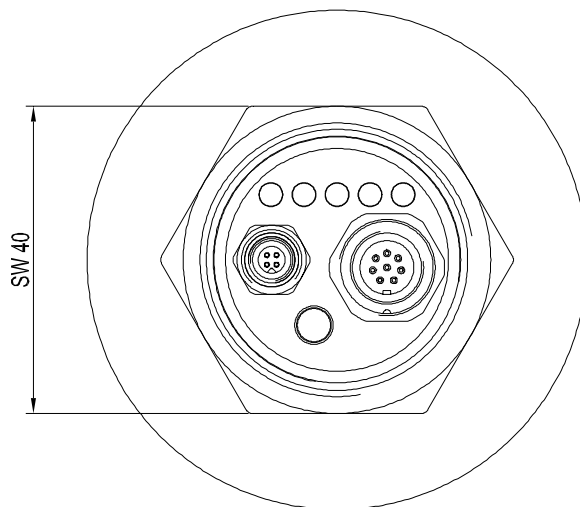
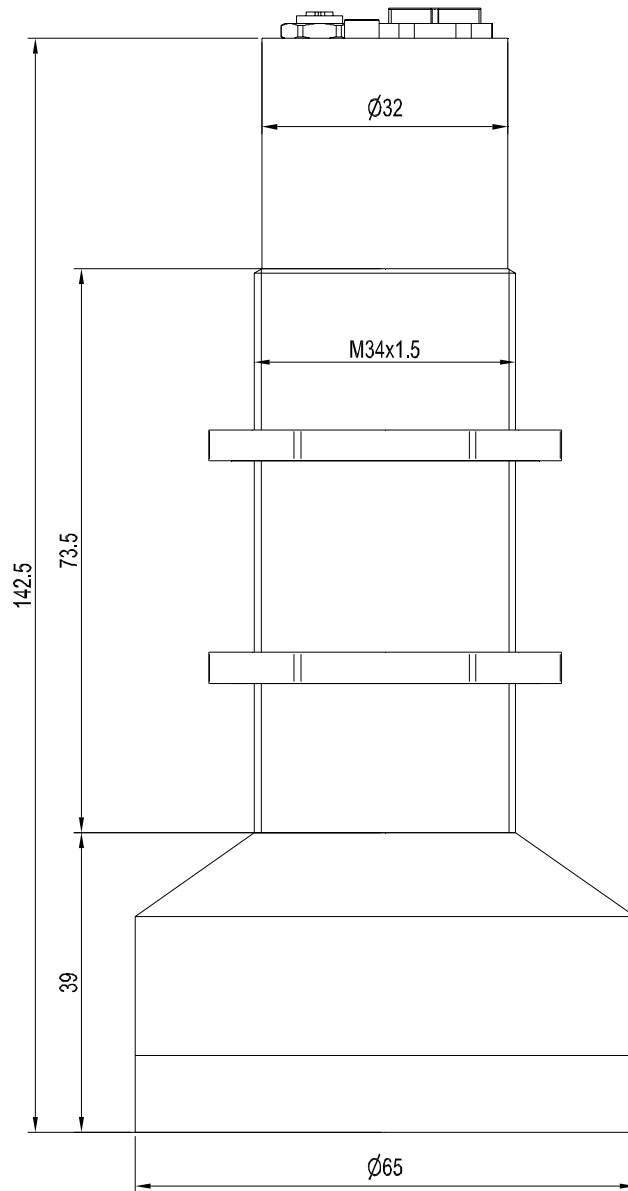
Mounting screws (M34)

LED display: Switching state indication by means of 5 yellow LED

Technical Data

| Type | OT-3-HR-80-36 |
|-----------------------------|---|
| Light source | 12x white light LED AC-, DC-operation (adjustable or OFF in case of luminous objects adjustable via software) |
| Illumination technique | Polarisation filter, focused |
| Effect of illumination | very intense reduction of gloss effects, adapted for highly reflected surfaces |
| Target distance | typ. 40 mm up to 100 mm ideal distance up to 80 mm |
| Light spot size | Ø 36 (36 dia.) mm at 80 mm |
| Reproducibility | in the X, Y color range each 1 digit at 12-bit A/D conversion |
| Color distance | $\Delta E \geq 0.8$ |
| Receiver | 3-color filter detector (TRUE COLOR Detector, color filter bend according to CIE 1931) |
| Alternating light operation | AC: typ. 10 kHz up to 40 kHz depends on the gain step (AMP1 up to AMP8) DC: adjustable via PC software |
| Ambient light | up to 5000 Lux (in AC-operation) |
| Protection class | IP 67 (optics), IP 64 (controller) |
| Current consumption | typ. 320 mA |
| Interface | RS 232 (USB optional) |
| Connector type | to PLC: 8-pole female connector (Binder series 712) to PC: 4-pole female connector (Binder series 707) |
| Connection cable | to PLC: CAB-M9-8P-St-ge; xm-PUR; open to PC: CAB-M9-5P-St-ge; xm-PUR; RS232 CAB-M9-5P-St-ge; xm-PVC; USB |
| Housing material | Aluminum, anodized in black |
| Operating temperature | -20°C - + 55°C (-4°F up to +131°F) |
| Storage temperature | -20°C - +85°C (-4°F up to +185°F) |
| Pulse lengthening | adjustable 0 ms up to 100 ms |
| Max. switching current | 100 mA, short-circuit-proof |
| Switching frequency | max. 30 kHz (depends on the number of teach-colors and averaging value) |
| Outputs | OUT 0 - OUT 4, digital (0V/+Ub), short-circuit-proof 100 mA max. switching current npn-, pnp-available (bright-, dark-switching can be switched over) |
| Averaging | over 32768 values max. |
| Voltage supply | +24 VDC ($\pm 10\%$), protected against polarity reversal, overload protected |
| Switching state display | Visualization by means of 5 yellow LED's |
| Color memory capacity | non-volatile EEPROM with parameter sets for 31 colors max. |
| TEACH button | for external teaching of color reference values via input IN0 |
| Temperature drift X,Y | < 0.01% / K |
| Signal gain | 8 steps (AMP1 - AMP8), adjustable |
| EMC test | according to DIN EN 60947-5-2 |
| Color spaces | X/Y INT; s/i M (Lab) |

Dimensions

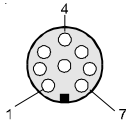


All dimensions in mm

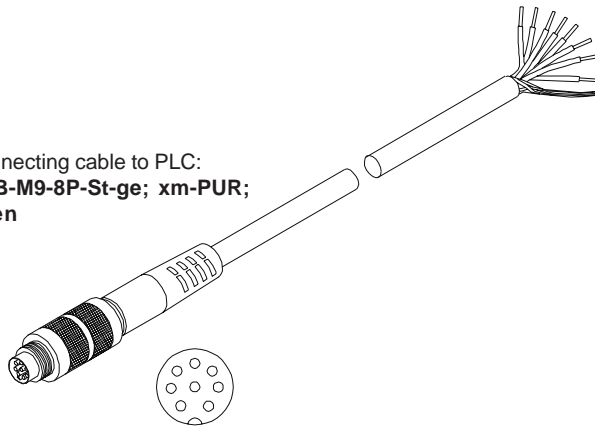
Connector Assignment

**Connection to PLC:
8-pole fem. connector Binder Series 712**

| Pin: | Color: | Assignment: |
|------|--------|---------------|
| 1 | white | GND (0V) |
| 2 | brown | +24VDC (±10%) |
| 3 | green | IN0 |
| 4 | yellow | OUT0 |
| 5 | grey | OUT1 |
| 6 | pink | OUT2 |
| 7 | blue | OUT3 |
| 8 | red | OUT4 |



Connecting cable to PLC:
CAB-M9-8P-St-ge; xm-PUR; open



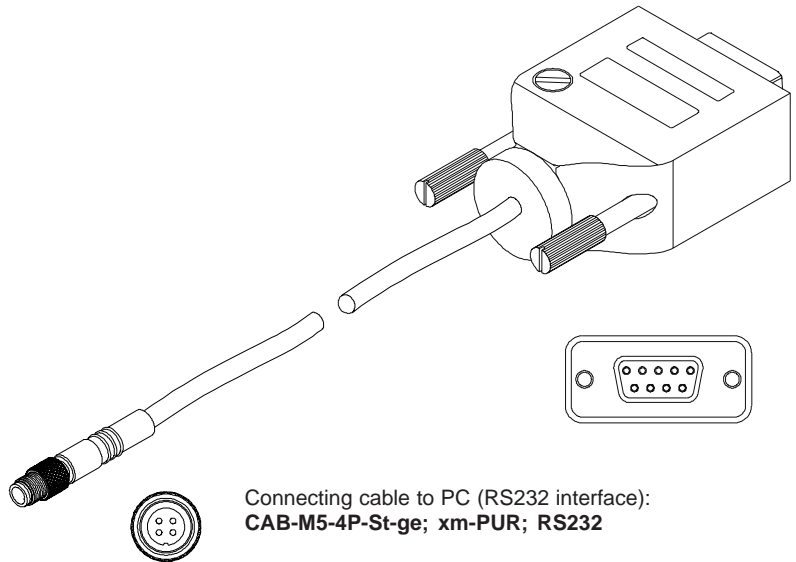
Connecting cable:S
CAB-M9-8P-St-ge; 2m-PUR; open
CAB-M9-8P-St-ge; 5m-PUR; open
(Standard length 2 m)

**Connection to PC:
4-pole fem. connector Binder Series 707**

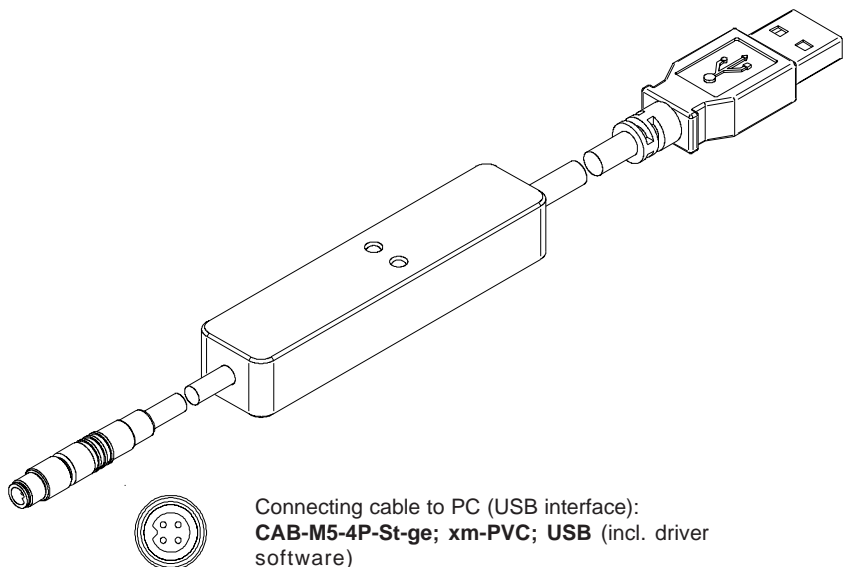
| Pin: | Assignment: |
|------|-------------------|
| 1 | +24VDC (+Ub, OUT) |
| 2 | GND (0V) |
| 3 | RxD |
| 4 | TxD |

Connecting cable:
CAB-M5-4P-St-ge; 2m-PUR; RS232
CAB-M5-4P-St-ge; 5m-PUR; RS232
(Standard length 2 m)

alternatively:
Connecting cable (incl. driver software):
CAB-M5-4P-St-ge; 2m-PVC; USB
CAB-M5-4P-St-ge; 5m-PVC; USB
(Standard length 2 m)



Connecting cable to PC (RS232 interface):
CAB-M5-4P-St-ge; xm-PUR; RS232



Connecting cable to PC (USB interface):
CAB-M5-4P-St-ge; xm-PVC; USB (incl. driver software)

Measuring Principle

Measuring principle of the color sensors of colorSENSOR OT-3 series:

The colorSENSOR OT-3 provides highly flexible signal acquisition. For example, the sensor can be operated in alternating-light mode (AC mode), which makes the sensor insensitive to extraneous light. It also can be set to constant-light mode (DC mode), which makes the sensor extremely fast and allows a scan-frequency of up to 35 kHz.

An OFF function turns off the integrated light source at the sensor and changes to DC operation. The sensor then can detect so-called "self-luminous objects". In PULSE operation extremely dark surfaces can be reliably detected. With the stepless adjustment of the integrated light source and the selectable gain of the receiver signal the sensor can be set to almost any surface or any "self-luminous object".

When the integrated light source of the colorSENSOR OT-3 color sensor is activated, the sensor detects the radiation that is diffusely reflected from the object. As a light source the colorSENSOR OT-3 color sensor uses a white-light LED with adjustable transmitter power. An integrated 3-fold receiver for the red, green, and blue content of the light that is reflected from the object, or the light that is emitted by a "self-luminous object", is used as a receiver. As mentioned above, a special feature here is that the gain of the receiver can be set in 8 steps. This makes it possible to optimally adjust the sensor to almost any surface and to different "self-luminous objects".

The colorSENSOR OT-3 color sensor can be "taught" up to 31 colors. For each of these taught colors it is possible to set tolerances.

In X/Y INT or s/i M mode these tolerances form a color cylinder in space. In X/Y/INT or s/i/M mode the tolerances form a color sphere in space. Color evaluation according to s/i M is based on the lab calculation method. All modes can be used in combination with several operating modes such as "FIRST HIT" and "BEST HIT". Raw data are represented with 12 bit resolution.

Color detection either operates continuously or is started through an external PLC trigger signal. The respective detected color either is provided as a binary code at the 5 digital outputs or can be sent directly to the outputs, if only up to 5 colors are to be detected. At the same time the detected color code is visualised by means of 5 LEDs at the housing of the colorSENSOR OT-3 .
[\[Please note: Visualisation by means of LEDs not available with colorSENSOR LT-1-LC-20 types.\]](#)

With a TEACH button at the sensor housing the color sensor can be taught up to 31 colors. For this purpose the corresponding evaluation mode must be set with the software. The TEACH button is connected in parallel to the input IN0 (green wire at cable CAB-M9-8P-St-ge; xm-PUR; open). [\[Please note: TEACH button not available with colorSENSOR LT-1-LC-20 types.\]](#)

Parameters and measurement values can be exchanged between a PC and the colorSENSOR OT-3 color sensor through the serial RS232 interface. All the parameters for color detection also can be saved to the non-volatile EEPROM of the colorSENSOR OT-3 color sensor through this serial RS232 interface. When parameterisation is finished, the color sensor continues to operate with the current parameters in STAND-ALONE mode without a PC.

The sensors of the colorSENSOR OT-3 series can be calibrated (white-light balancing). Balancing can be performed to any white surface. A ColorChecker™ table with 24 color fields is available as an alternative.

Visualization

Visualization of the color code:

The color code is visualised by way of 5 yellow LEDs at the housing of the colorSENSOR OT-3 color sensor. At the same time in the binary mode (OUT BINARY) the color code indicated on the LED display is output as 5-bit binary information at the digital outputs OUT0 to OUT4 of the 8-pin colorSENSOR OT-3 /PLC socket.

The colorSENSOR OT-3 color sensor is able to process a maximum of 31 colors (color code 0 ... 30) in accordance with the corresponding rows in the COLOR TEACH TABLE. An "error" respectively a "not detected color" is displayed by the lighting of all LED (OUT0 ... OUT4 digital outputs are set to HIGH-level).

In the DIRECT mode (OUT DIRECT HI or OUT DIRECT LO) the maximum numbers of colors to be taught is 5 (color no. 0, 1, 2, 3, 4). If DIRECT HI is activated, the specially digital output is set to HI, while the other 4 are set to LO. If the current color does not correspond with any of the teach-in colors, all digital outputs are set to LOW (no LED is lighting).

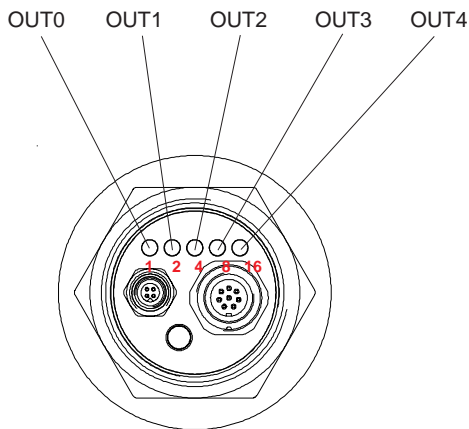
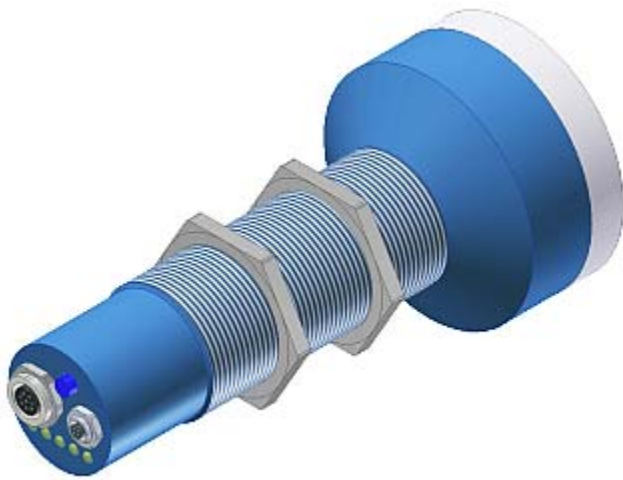
If DIRECT LO is activated, the specially digital output is set to LO, while the other 4 are set to HI. If the current color does not correspond with any of the teach-in colors, all digital outputs are set to HIGH (all LED are lighting).

LED-Display

LED display:

The color code is visualized by means of 5 yellow LEDs at the housing of the color sensor. At the same time the color code indicated at the LED display is output as 5-bit binary information at the digital outputs OUT0 ... OUT4 of the 8-pole PLC connector.

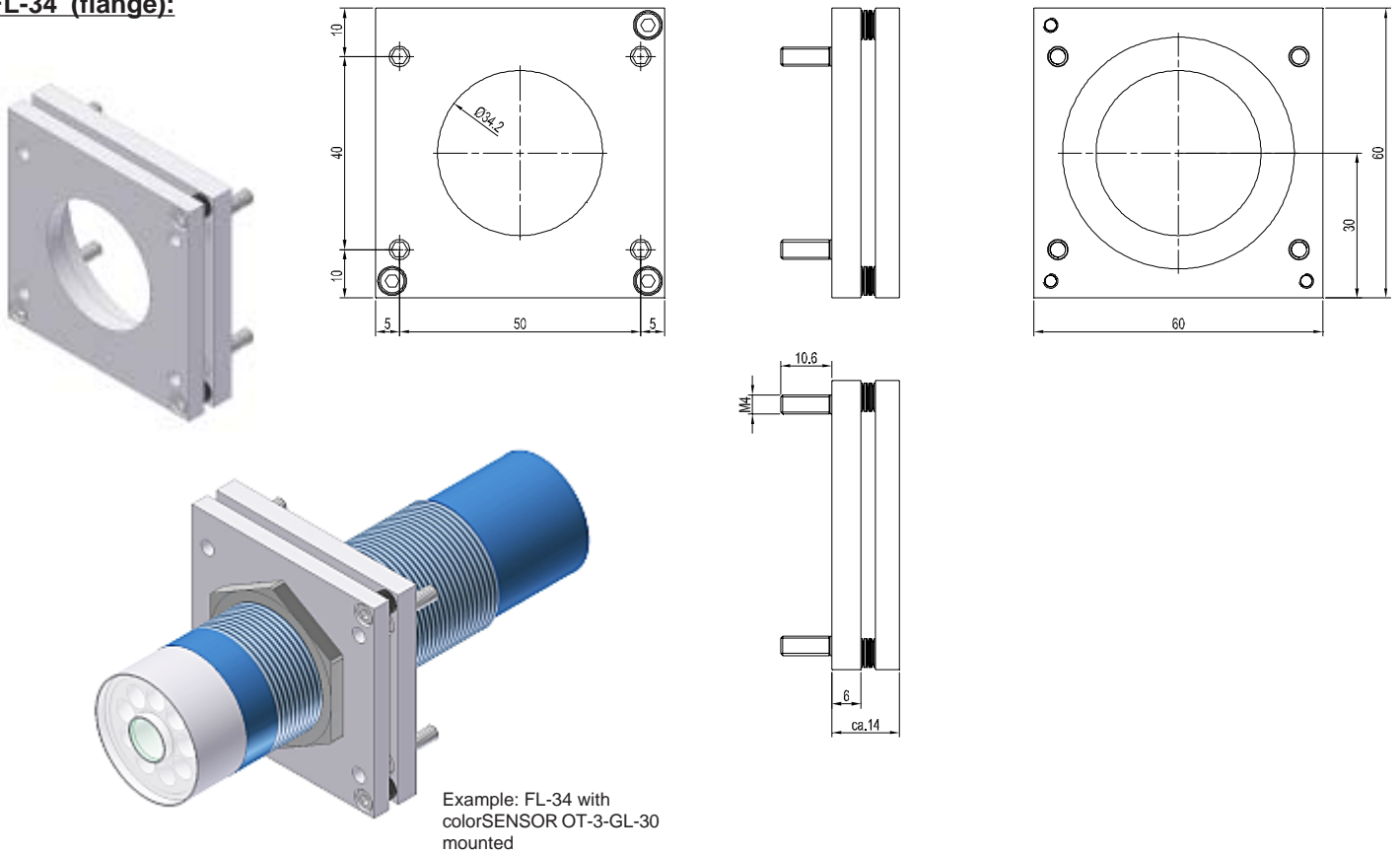
In the DIRECT mode the maximum number of color codes to be taught is 5. These 5 color codes can be directly output at the 5 digital outputs. The respective detected color code is displayed by means of the 5 yellow LEDs at the color sensor housing.



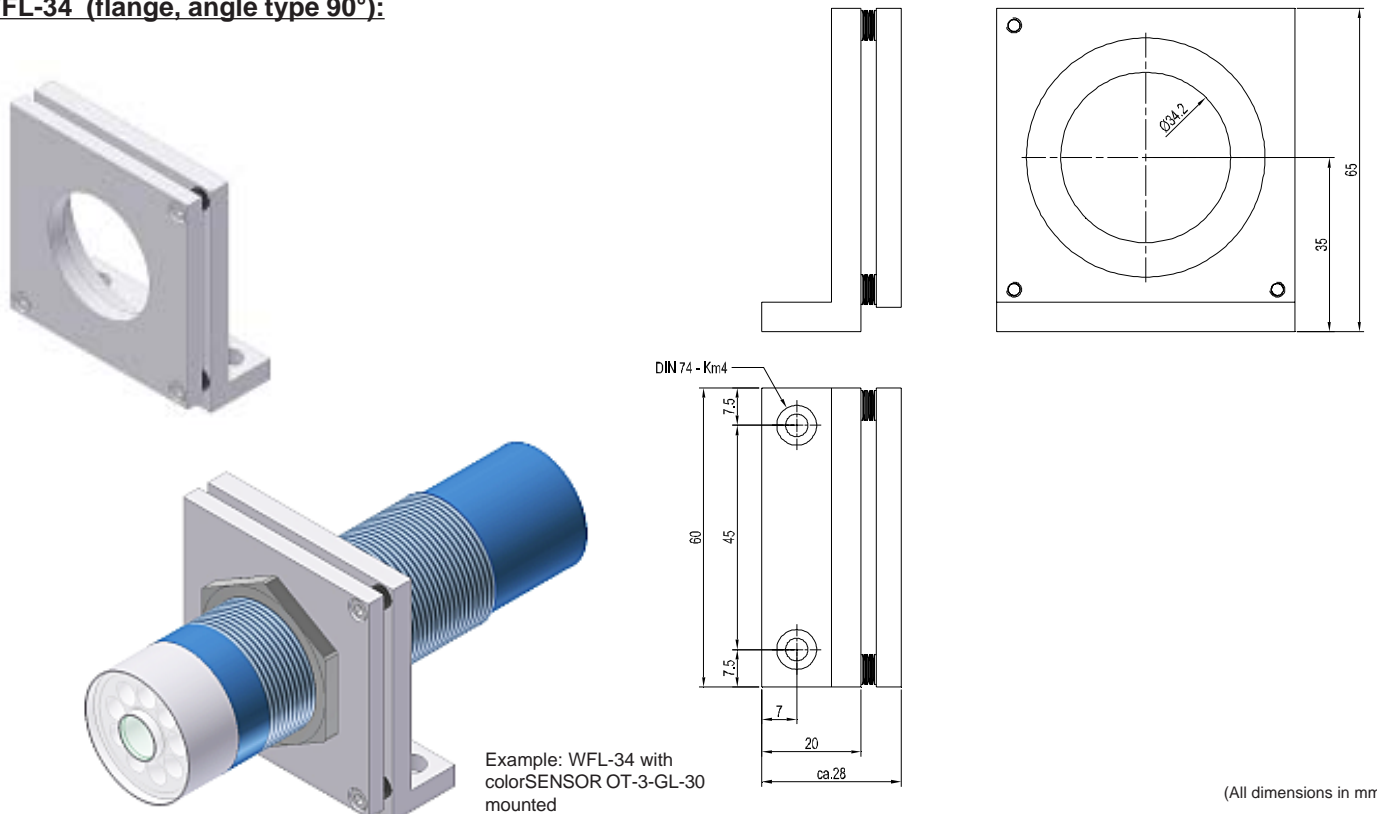
| | | |
|-----------------|---|-----------------|
| ○ ○ ○ ○ ○ 0 | ● ○ ○ ○ ○ 1 | ○ ● ○ ○ ○ 2 |
| ● ● ○ ○ ○ 3 | ○ ○ ● ○ ○ 4 | ● ○ ● ○ ○ 5 |
| ○ ● ● ○ ○ 6 | ● ● ● ○ ○ 7 | ○ ○ ○ ● ○ 8 |
| ● ○ ○ ● ○ 9 | ○ ● ○ ● ○ 10 | ● ● ○ ● ○ 11 |
| ○ ○ ● ● ○ 12 | ● ○ ● ● ○ 13 | ○ ● ● ● ○ 14 |
| ● ● ● ● ○ 15 | ○ ○ ○ ○ ● 16 | ● ○ ○ ○ ● 17 |
| ○ ● ○ ○ ● 18 | ● ● ○ ○ ● 19 | ○ ○ ● ○ ● 20 |
| ● ○ ○ ○ ● 21 | ○ ● ● ○ ● 22 | ● ● ● ○ ● 23 |
| ○ ○ ○ ● ● 24 | ● ○ ○ ● ● 25 | ○ ● ○ ● ● 26 |
| ● ● ○ ● ● 27 | ○ ○ ● ● ● 28 | ● ○ ● ● ● 29 |
| ○ ● ● ● ● 30 | ● ● ● ● ● Error or „not detected“ | |

Mounting Accessories

FL-34 (flange):



WFL-34 (flange, angle type 90°):



(All dimensions in mm)





MICRO-EPSILON Eltrotec GmbH
Manfred-Wörner-Straße 101 · 73037 Göppingen / Germany
Tel. +49 (0) 7161 / 98872-300 · Fax +49 (0) 7161 / 98872-303
eltrotec@micro-epsilon.de · www.micro-epsilon.com

X9751276.03-A011069SWE

